

FALAX (FALAXCS), AVM type axial fans



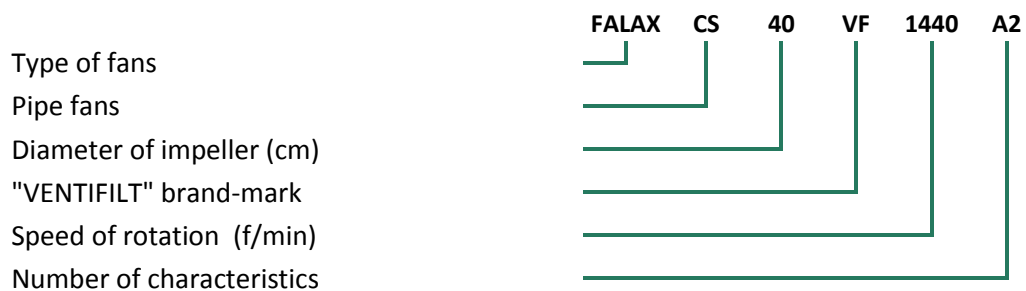
1. How to select

The most suitable fan should be selected in accordance with the characteristics based on the delivered effective volume flow rate (Q). From the chart our partners could select a fan with the best blow-out features adapting to the pipe system. If the selected design is not available, our expert will be glad to help our customers.

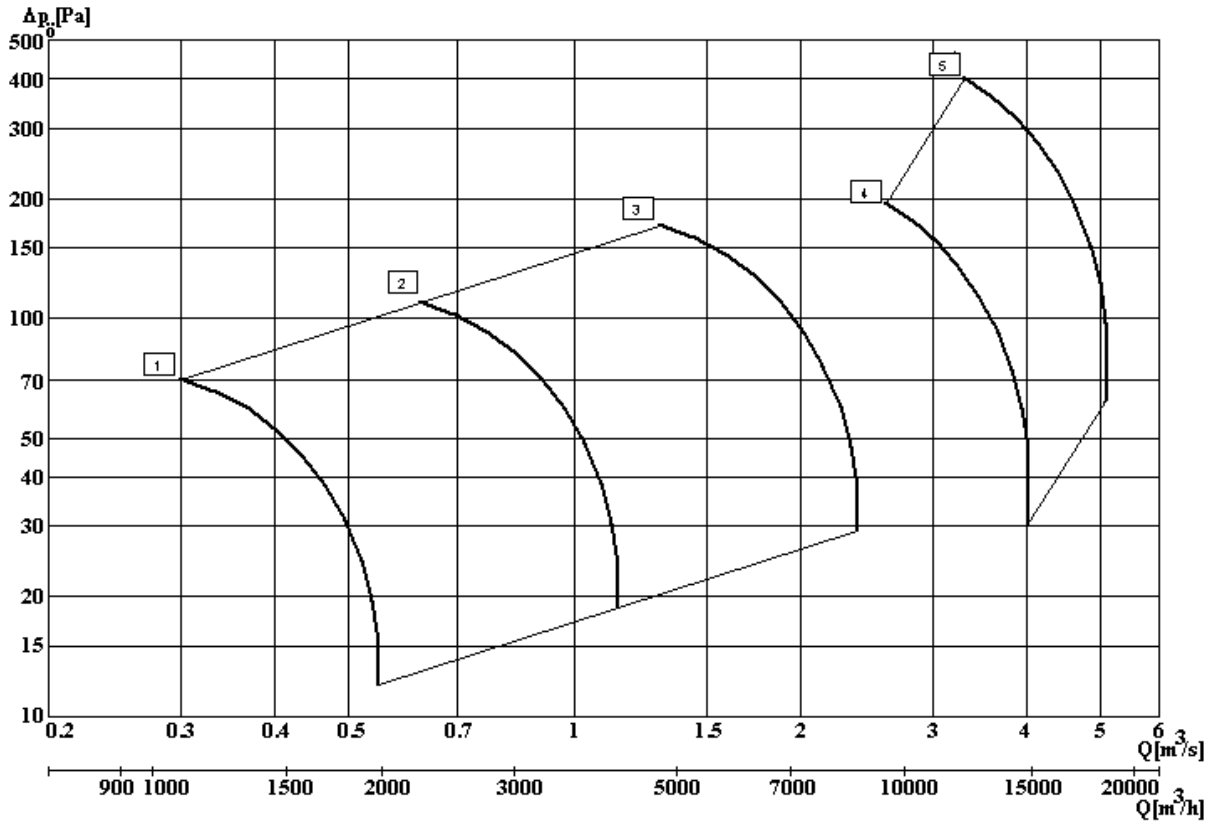
Selection of an individual equipment is based on the actual quantity, description, density, polluting material content of the delivered medium, the total pressure increase, operation circumstances, regulations for the design and installation

2. Marking of FALAXCS

For example: **FALAXCS-40VF/1440-A2**



3. Characteristics of FALAX, AVM type axial fans

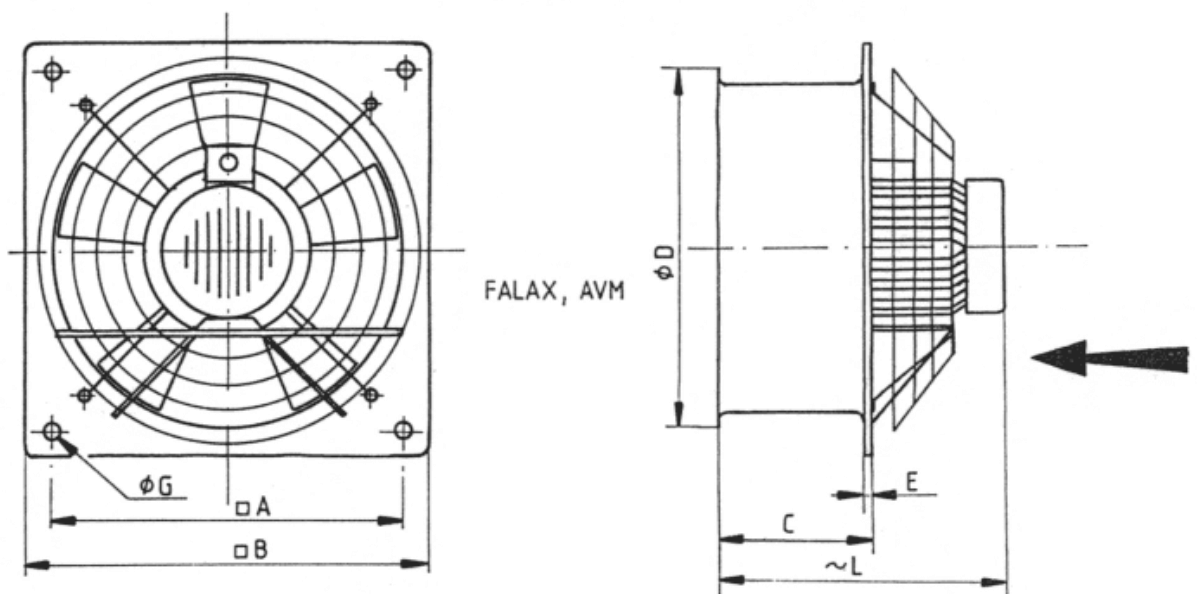


293 temperature on the Kelvin scale, clean air

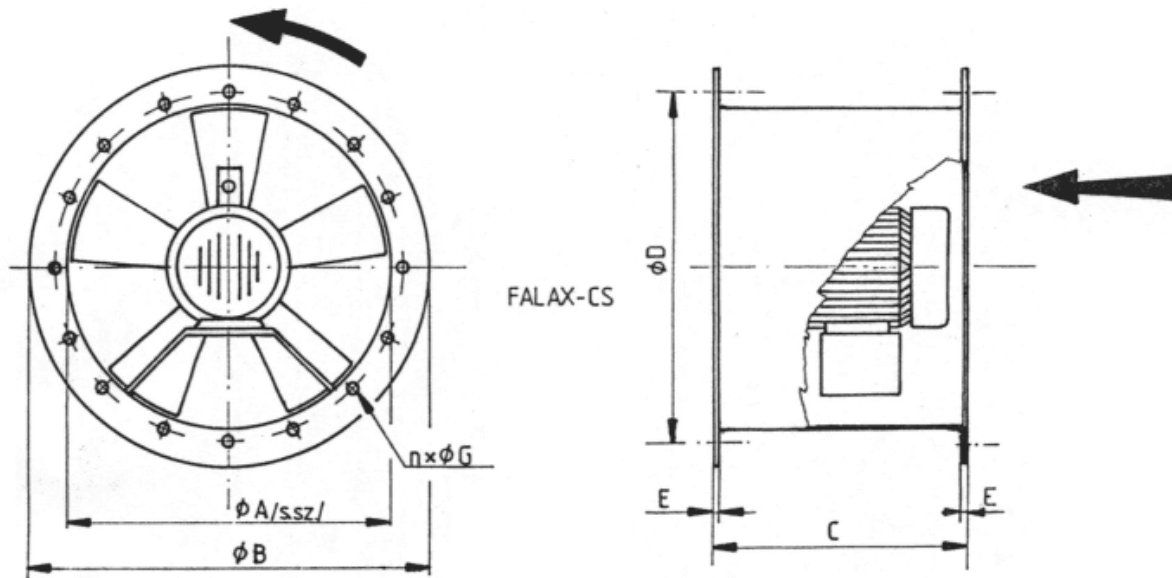
Num.	Type	Pmax
1	FALAX-31,5VF/1440-A1	0,1 kW
2	FALAX-40VF/1440-A2	0,18 kW
3	FALAX-50VF/1440-A3	0,55 kW
4	AVM-63VF/960-A4	0,75 kW
5	AVM-63VF/1440-A5	3 kW

Num.	Type	Pmax
1	FALAXCS-31,5VF/1440-A17	0,12 kW
2	FALAXCS-40VF/1440-A18	0,18 kW
3	FALAXCS-50VF/1440-A19	0,55 kW

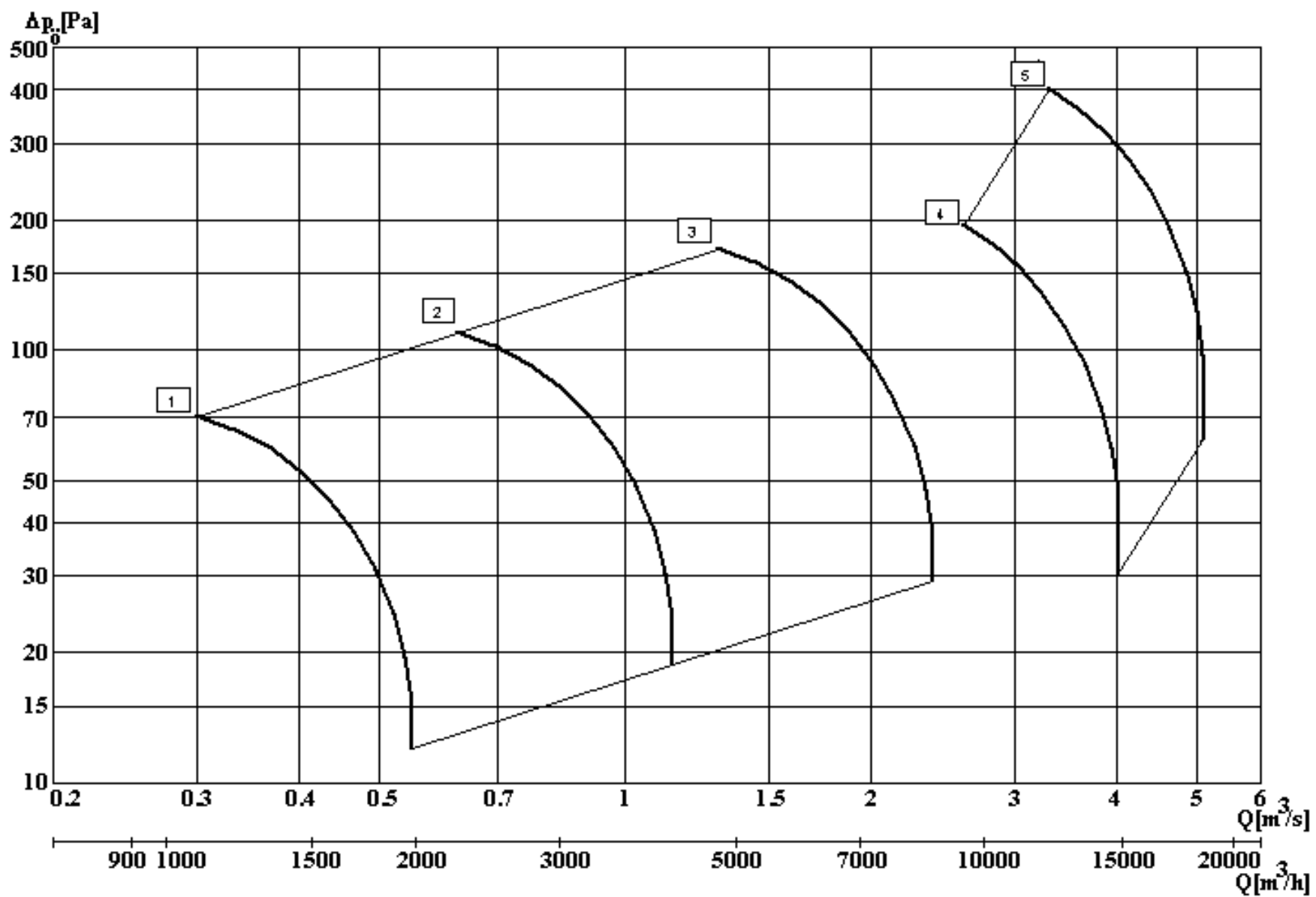
4. Design drawing of FALAX (FALAXCS), AVM type axial fans

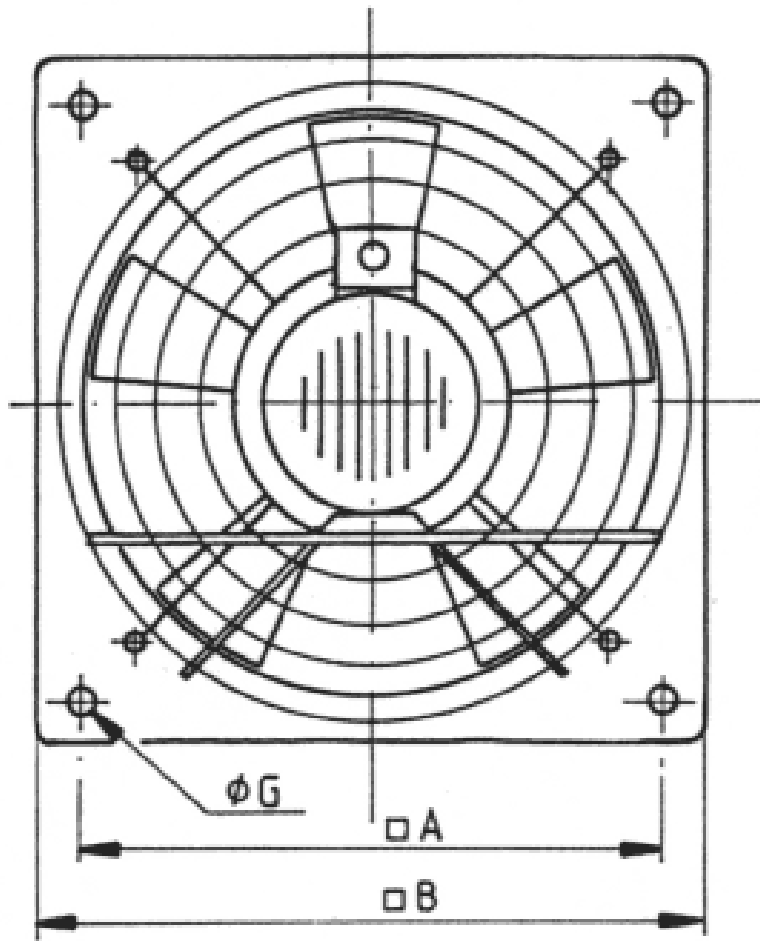


	A	B	C	ØD	E	ØG	~L	weight (kg)
FALAX-31,5	350	400	120	345	20	9	280	11,5
FALAX-40	444	500	150	435	25	9	335	14,5
FALAX-50	550	625	190	537	25	11	385	22,5
FALAX-63	700	780	230	675	30	11	480	60

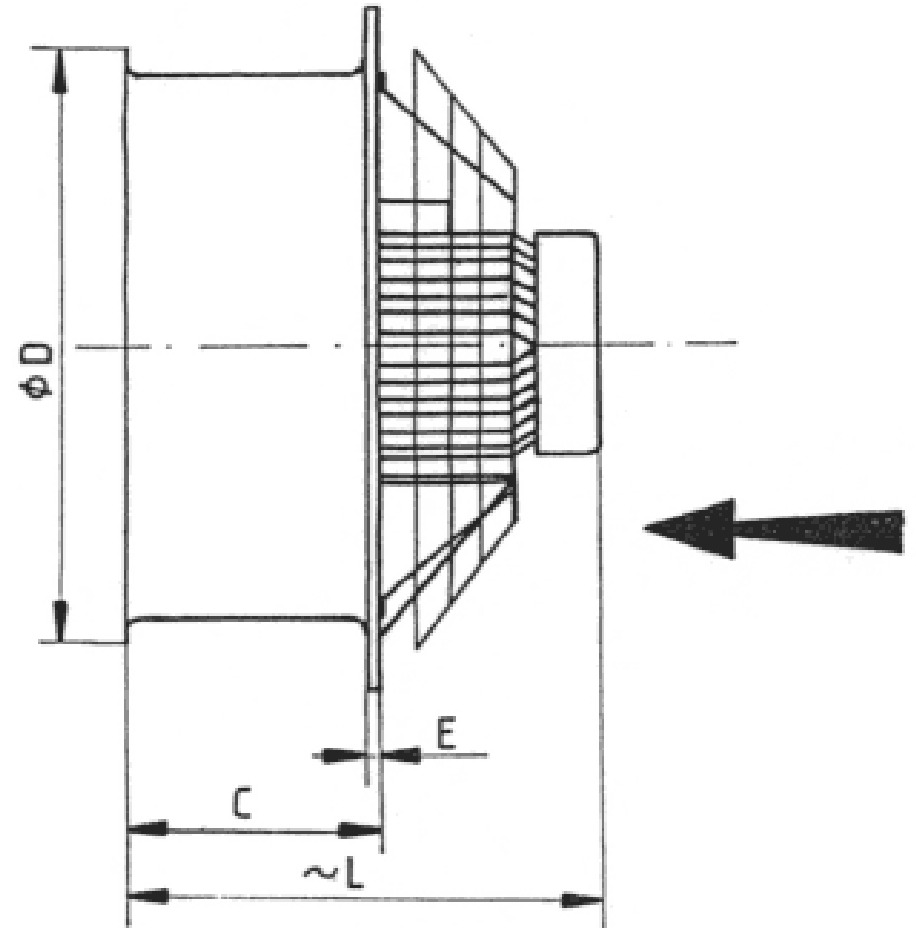


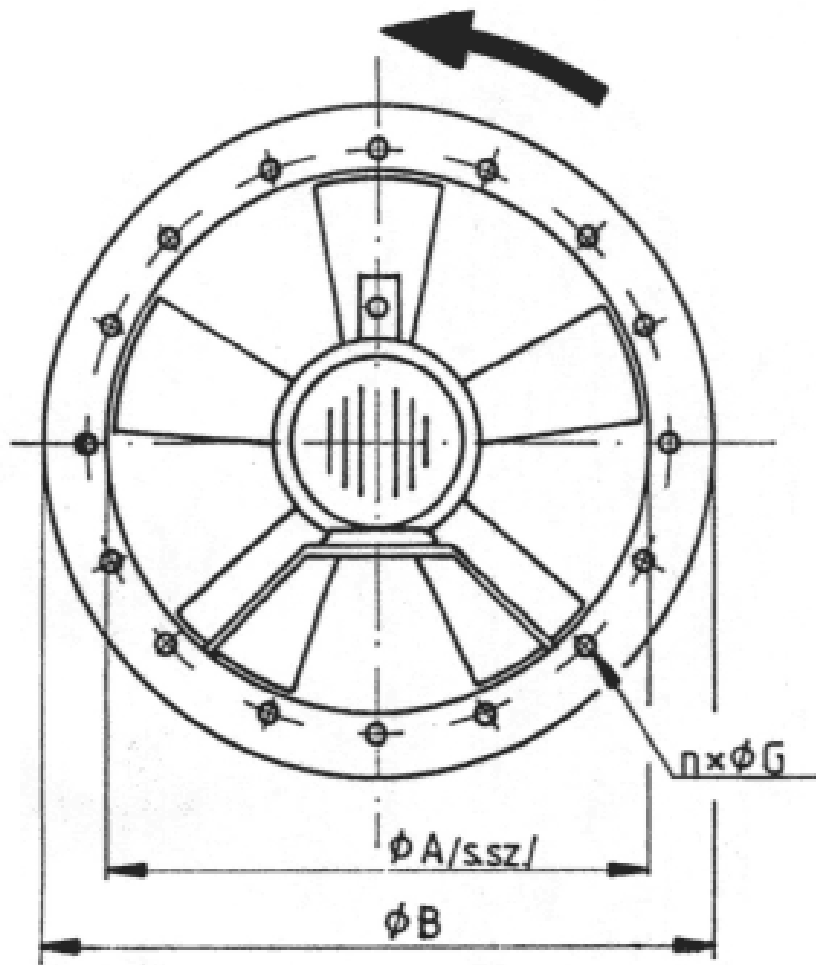
	ØA	~ØB	C	ØD	E	n×ØG	weight (kg)
FALAX-CS-31,5	315,5	387	285	353	3	12×12	11,6
FALAX-CS-40	398	472	315	438	5	12×12	14,7
FALAX-CS-50	498	572	380	538	5	12×12	25,2





FALAX, AVM





FALAX-CS

